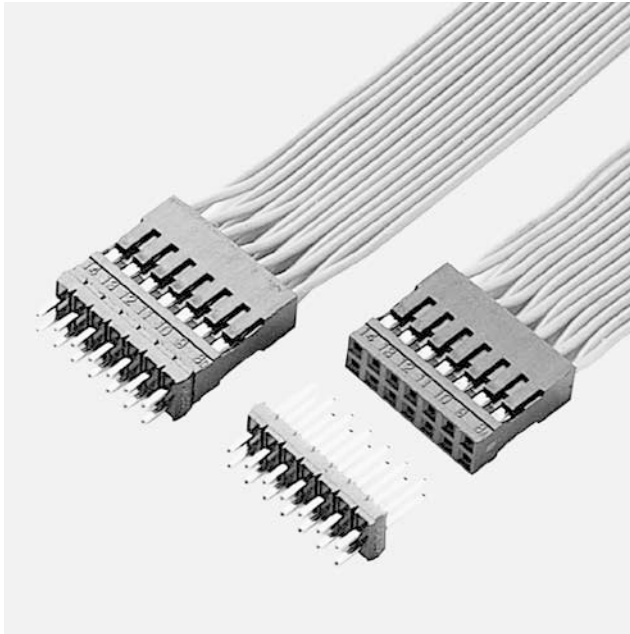
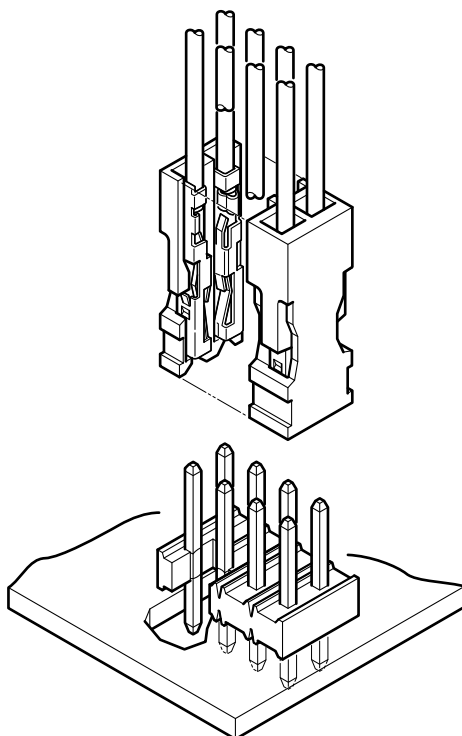


RF CONNECTOR

Disconnectable Crimp style connectors



The RF connector was developed as a highly reliable, low-cost, crimp style connector for connecting wires to printed circuit boards. Well suited for internal connections in office automation equipment, such as personal computers, office computers and their peripheral devices.



Features

• Highly reliable, yet low in cost

Our original double-leaf spring construction withstands the stresses caused by repeated insertions and withdrawals and ensures reliable contact performance. Depending on the application, the socket contacts and header posts can be selectively gold-plated or fully tin-plated to minimize costs.

• Space-saving, high-density design

The 2.54mm pitch contacts are arranged in two rows. The mated connectors can be placed side by side or end to end without a loss in pitch. This facilitates space-saving, high-density circuit designs.

• Easy connection

A slight force is all that is required for contact insertion because the housing has resilient lances. Furthermore, the positions of the contacts in the housing can be visually checked. This facilitates insertion of the contacts in the housing.

• It can be cut to any length to provide a header with any number of circuits

Notches are provided on the insulator that allow it to be cut to any length without using special tools.

Specifications

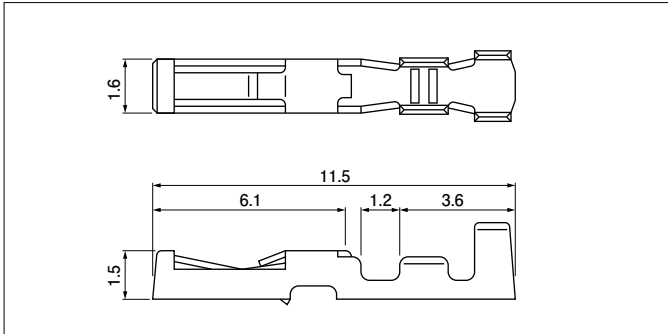
- Current rating: 2A AC, DC (AWG #24)
- Voltage rating: 250V AC, DC
- Temperature range: (including temperature rise in applying electrical current)
 - 55°C to +105°C (gold-plated)
 - 55°C to +85°C (tin-plated)
- Contact resistance: Initial value/15mΩ max.
After environmental testing/30mΩ max.
- Insulation resistance: 1,000MΩ min.
- Withstanding voltage: 1,500V AC/minute
- Applicable wire: AWG #30 to #24
- Applicable PC board thickness: 1.2 to 1.6mm
- * Compliant with RoHS.
- * Refer to "General Instruction and Notice when using Terminals and Connectors" at the end of this catalog.
- * Contact JST for details.

Standards

- Ⓜ Recognized E60389
- Ⓢ Certified LR20812

RF CONNECTOR

Contact

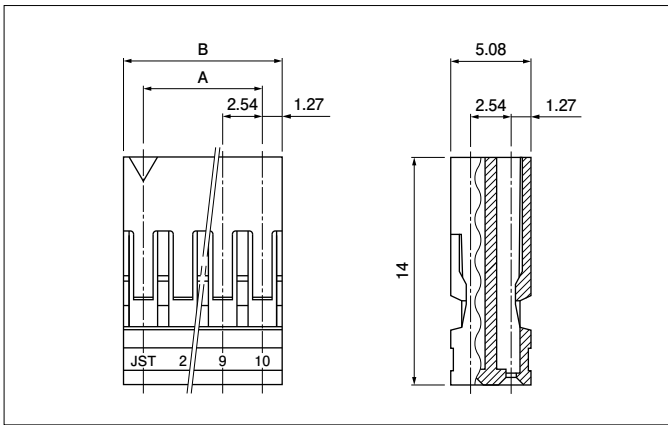


Model No.	Applicable wire			Finish	Q'ty / reel
	mm ²	AWG #	Insulation O.D. (mm)		
RF-SC2210	0.05 to 0.22	30 to 24	0.9 to 1.5	Nickel-undercoated, Mating part: gold-plated	10,000
RF-SC2290				Crimping part: tin-plated (reflow treatment)	

Material
Phosphor bronze

RoHS compliance RF-SC2210 displays (LF)(SN) on a label.

Housing

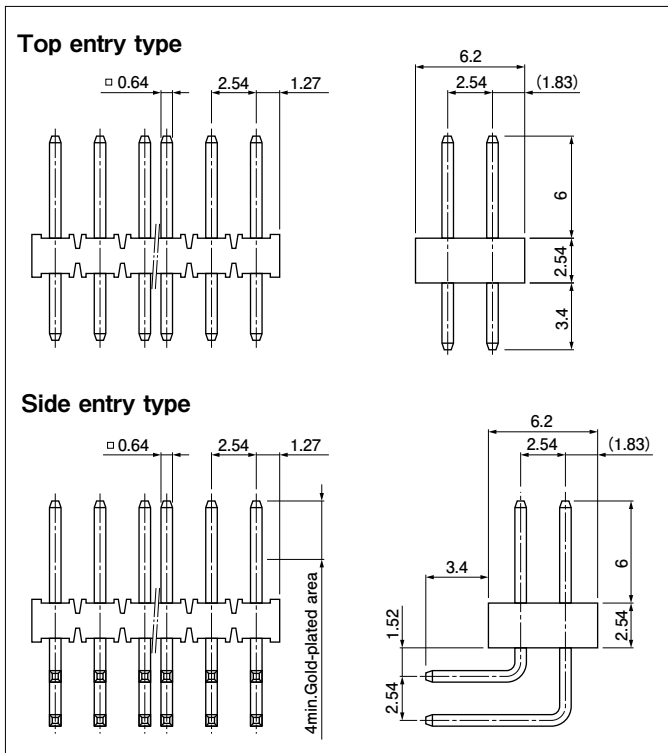


No. of circuits	Model No.	Dimensions (mm)		Q'ty / box
		A	B	
6	RF-06	5.08	7.62	500
8	RF-08	7.62	10.16	500
10	RF-10	10.16	12.70	500
12	RF-12	12.70	15.24	500
14	RF-14	15.24	17.78	300
16	RF-16	17.78	20.32	300
20	RF-20	22.86	25.40	200
28	RF-28	33.02	35.56	200

Material
PBT, UL94V-0, black

RoHS compliance

Header



Top entry type

Model No.	Material		Finish
	Wafer	Post	
RF-H (*) 2TD-1130	PBT, UL94V-0, black	Brass	Nickel-undercoated, gold-plated
RF-H (*) 2TD-1190			Copper-undercoated, tin-plated (reflow treatment)

Side entry type

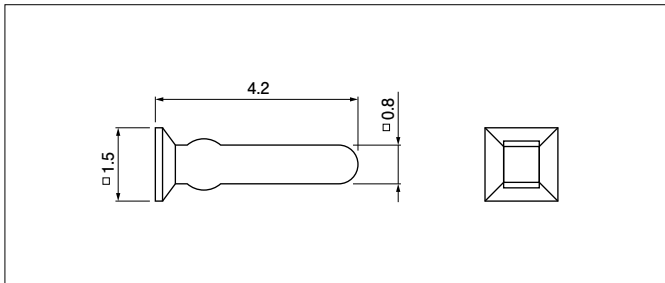
Model No.	Material		Finish
	Wafer	Post	
RF-H (*) 2SD-1110	PBT, UL94V-0, black	Brass	Nickel-undercoated, Mating part: gold-plated Solder tail: tin-plated (reflow treatment)
RF-H (*) 2SD-1190			Copper-undercoated, tin-plated (reflow treatment)

RoHS compliance Tin-plated product displays (LF)(SN) on a label.

Note:

1. A two-digit number (02 to 60 even numbers only) representing the number of circuits should be inserted in (*). Determine the number depending on the number of circuits of the housing or header.
2. Contact JST for special products.

Polarizing key

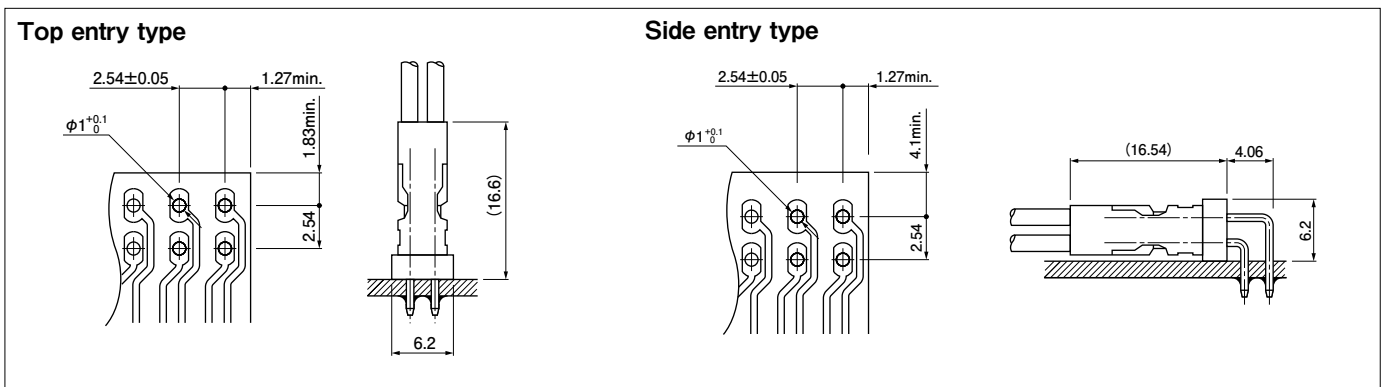


Model No.	Q'ty / bag
PK-RF-1	10,000
Material	
PBT, UL94V-0, natural (white)	

RoHS compliance

Polarizing key: The polarizing key in the housing prevents misinsertion of the connector to the header.

PC board layout (viewed from soldering side) and Assembly layout



Note:

1. Tolerances are non-cumulative: $\pm 0.05\text{mm}$ for all centers.

2. Hole dimensions differ according to the type of PC board and piercing method. The dimensions above should serve as a guideline. Contact JST for details.

RF CONNECTOR

Model number allocation

Contact

RF - S C 2 2 10

Series name _____

Form: S··Strip form _____

Part name: C··Crimp style contact _____

Applicable wire range: 2··AWG #30 to #24 _____

Material: 2··Phosphor bronze _____

Surface finish of contact part: 10··Gold-plated (Flash) _____
 90··Tin-plated (reflow treatment) _____

Housing

RF - 06

Series name _____

No. of circuits: 6, 8, 10, 12, 14, 16, 20, 28 _____

Header

RF - H 34 2 TD - 1 1 30

Series name _____

Part name: Header _____

No. of circuits: Even number from 2 to 60 _____

Mating side post length: 6.0 _____

PC board mounting method: TD··Top entry DIP type _____
 SD··Side entry DIP type _____

Header color: 1··Black _____

Post material: 1··Brass _____

Surface finish of post: 10··Selective gold-plated (Flash) _____
 30··Overall gold-plated (Flash) _____
 90··Tin-plated (reflow treatment) _____

Polarizing key

PK - RF - 1

Part name: Polarizing key _____

Series name _____

Material/Color: 1··Normal type (PBT, White) _____

Crimping machine, Applicator

Contact	Crimping machine	Applicator		
		Crimp applicator	Dies	Crimp applicator with dies
RF-SC2210	AP-K2N	MKS-L	MK/RF-SC22	APLMK RF-SC22
RF-SC2290				

Note: Contact JST for fully automatic crimping applicator.