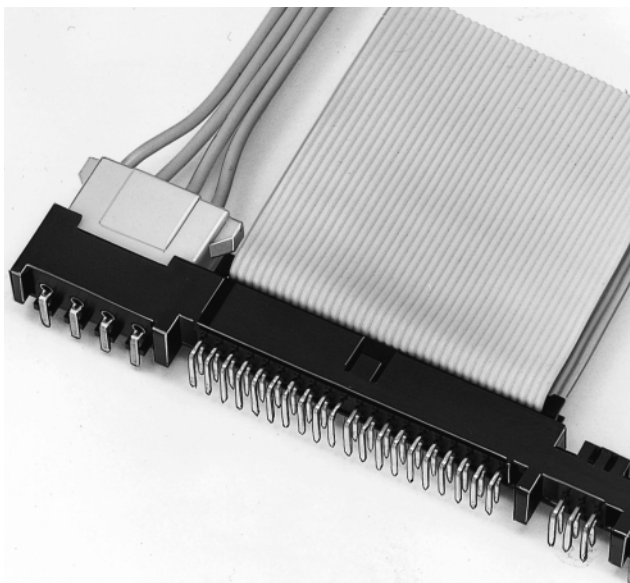


LK CONNECTOR

Connectors with combined signal and power supply circuits



Signal circuits mate with the receptacles conforming to MIL-C-83503.

Features

- **Signal and power supply circuits are integrated in one housing**

Because signal and power supply circuits are integrated in one connector, a smaller space on a PC board is required yet mating and unmating is easy.

- **Interchangeability**

The LK header will mate with the following receptacles:

- Power supply circuits ... LC receptacle
- Interface circuits ... RA or RX receptacles
- Address circuits ... JM connector

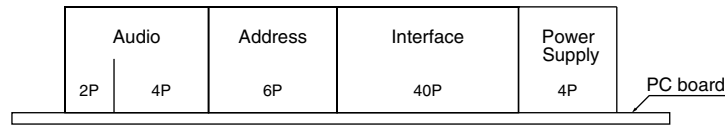
Specifications

- Current rating: Interface circuits/ 1.0A AC, DC
Power supply circuits/ 5A AC, DC
Address circuits/ 1.0A AC, DC
 - Voltage rating: Interface circuits/ 250V AC, DC
Power supply circuits/ 250V AC, DC
Address circuits/ 250V AC, DC
 - Temperature range: -20°C to +85°C
(including temperature rise in applying electrical current)
 - Contact resistance: Initial value/20m Ω max.
After environmental testing/30m Ω max.
 - Insulation resistance: 1,000M Ω min.
 - Withstanding voltage: 500V AC/minute
 - Applicable PC board thickness:
With hook pins ...1.2mm, 1.6mm
Without hook pins ... 1.2 to 1.6mm
- * RoHS compliant products are published.
* Refer to "General Instruction and Notice when using Terminals and Connectors" at the end of this catalog.
* Contact JST for details.

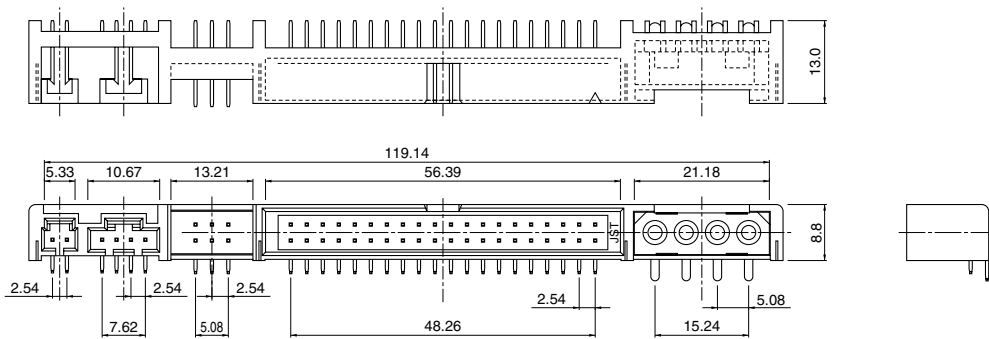
LK CONNECTOR

Through-hole type connector <5 in 1>

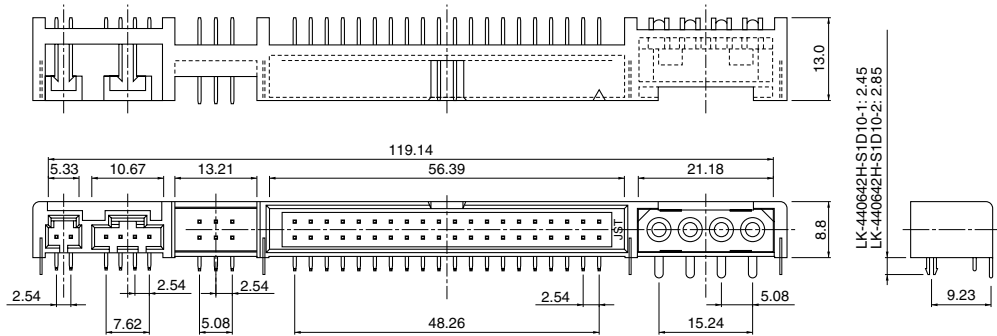
Connector layout (viewed from mating part)



Without hook pins



With hook pins



Hook pin	Applicable PC board thickness (mm)	Model No.	Q'ty / box
without	1.2 to 1.6	LK-440642H-S1D10	200
with	1.2	LK-440642H-S1D10-1	200
	1.6	LK-440642H-S1D10-2	200

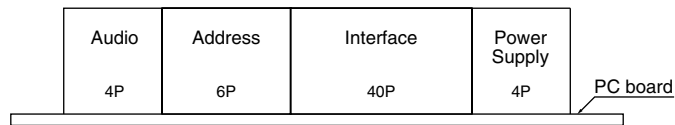
RoHS compliance This product displays (LF)(SN) on a label.

Material and Finish

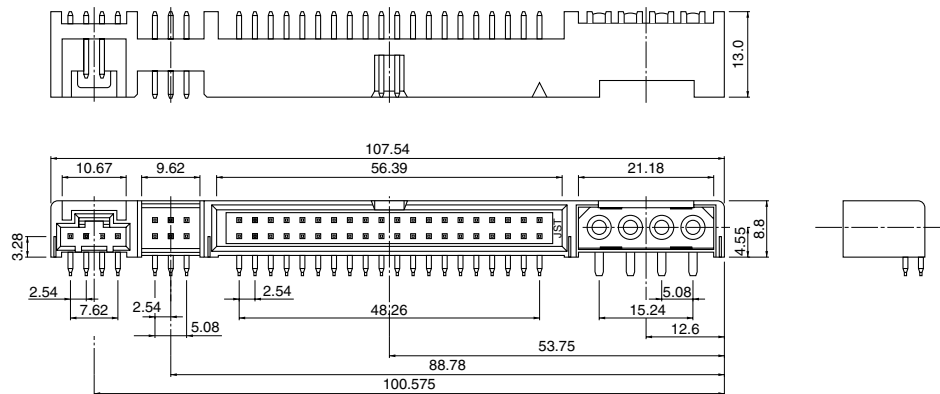
Contact: <Interface circuits/Adress circuits> Copper alloy, nickel-undercoated,
 Mating part: gold-plated
 Solder tail: tin-plated (reflow treatment)
 <Audio circuits> Copper alloy, copper-undercoated, tin-plated (reflow treatment)
 <Power supply circuits> Copper alloy, tin-plated (reflow treatment)
 Housing: Thermoplastic resin, UL94V-0
 Hook pin: Copper alloy, tin-plated (reflow treatment)

Through-hole type connector <4 in 1>

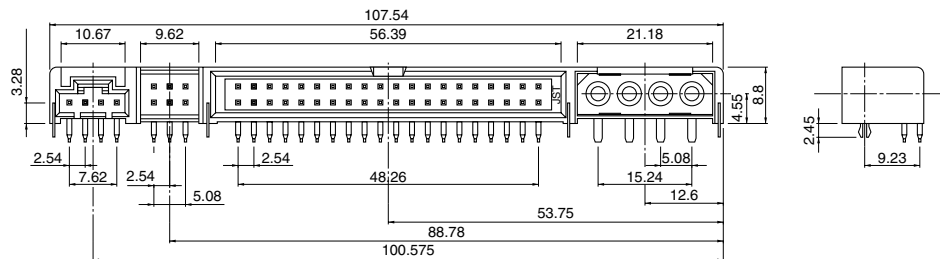
Connector layout (viewed from mating part)



Without hook pins



With hook pins



Hook pin	Applicable PC board thickness (mm)	Model No.	Q'ty / box
without	1.2 to 1.6	LK-44064H-S1D10	200
with	1.2	LK-44064H-S1D10-1	200

RoHS compliance This product displays (LF)(SN) on a label.

Material and Finish

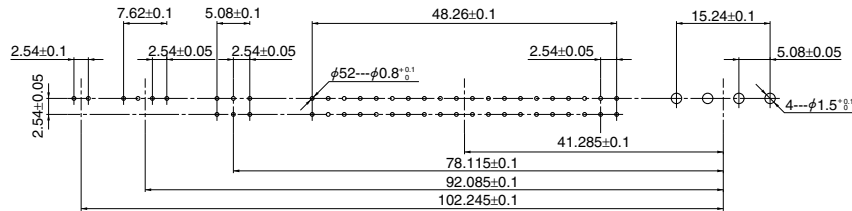
Contact: <Interface circuits/Adress circuits> Copper alloy, nickel-undercoated,
Mating part: gold-plated
Solder tail; tin-plated (reflow treatment)
<Audio circuits> Copper alloy, copper-undercoated, tin-plated (reflow treatment)
<Power supply circuits> Copper alloy, tin-plated (reflow treatment)
Housing: Thermoplastic resin, UL94V-0
Hook pin: Copper alloy, tin-plated (reflow treatment)

LK CONNECTOR

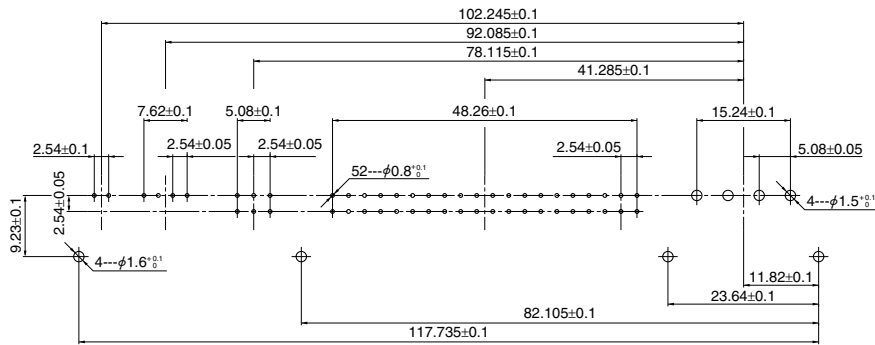
Through-hole type PC board layout (viewed from component side)

<5 in 1>

Without hook pins

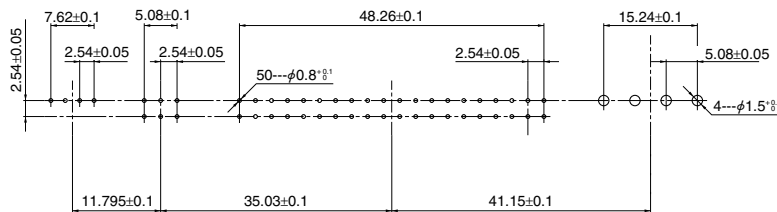


With hook pins



<4 in 1>

Without hook pins



With hook pins

