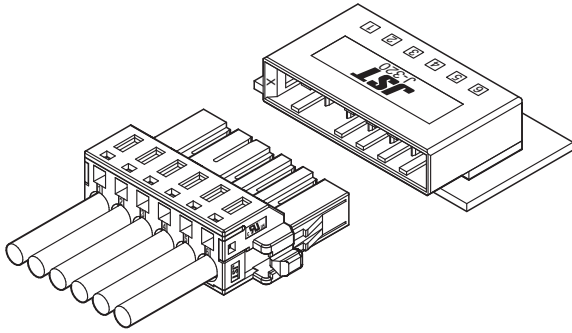


# J-FAT CONNECTOR

3.5/5/5.08/6.35/8/15 mm pitch/Connectors for PC board (Spring type terminal block)



Spring type connection structure makes a wire connection operation easy by using the open tool.

## Specifications

Current unit: A

| Series name  | No. of circuits | Current rating (AC/DC) |     |       |       |       |      |     |     | Voltage rating (AC/DC) |       |
|--------------|-----------------|------------------------|-----|-------|-------|-------|------|-----|-----|------------------------|-------|
|              |                 | Wire size (AWG)        |     |       |       |       |      |     |     |                        |       |
|              |                 | #8                     | #10 | #12   | #14   | #16   | #18  | #20 | #22 |                        | #24   |
| Mini J-FAT   | 2               | -                      | -   | -     | -     | -     | -    | 7   | 6   | 5                      | 250 V |
| J-FAT-S-H    | 5               | -                      | -   | -     | 13.5  | 11.5  | 9.5  | -   | -   | -                      |       |
| J-FAT-S-A    | 9               | -                      | -   | -     | 12    | 11    | 9    | -   | -   | -                      | 300 V |
|              | 3               | -                      | -   | -     | 13    | 12.25 | 10.5 | -   | -   | -                      |       |
|              | 4               | -                      | -   | -     | 12    | 11.25 | 10   | -   | -   | -                      |       |
| 5            | -               | -                      | -   | 11.25 | 10.5  | 9.5   | -    | -   | -   |                        |       |
| 6            | -               | -                      | -   | 10.5  | 9.75  | 9     | -    | -   | -   |                        |       |
| J-FAT-S-F    | 6               | -                      | -   | -     | 9.75  | 9.75  | 9    | -   | -   | -                      |       |
| J-FAT-S-G    | 4               | -                      | -   | -     | 11.25 | 11.25 | 10   | -   | -   | -                      | 600 V |
| J-FAT-S-4300 | 3               | -                      | -   | 20    | 17    | 15    | -    | -   | -   | -                      |       |
| J-FAT-S-XL   | 3               | -                      | 23  | 21    | 18    | 15    | -    | -   | -   | -                      |       |
|              | 6               | -                      | 21  | 18    | 16    | 14    | -    | -   | -   | -                      |       |
|              | 7               | -                      | 21  | 18    | 16    | 13    | -    | -   | -   | -                      |       |
| J-FAT-S-P    | 3               | 43                     | 30  | 21    | 18    | 15    | -    | -   | -   | -                      |       |

Note : The above specifications may differ from Safety Standard.

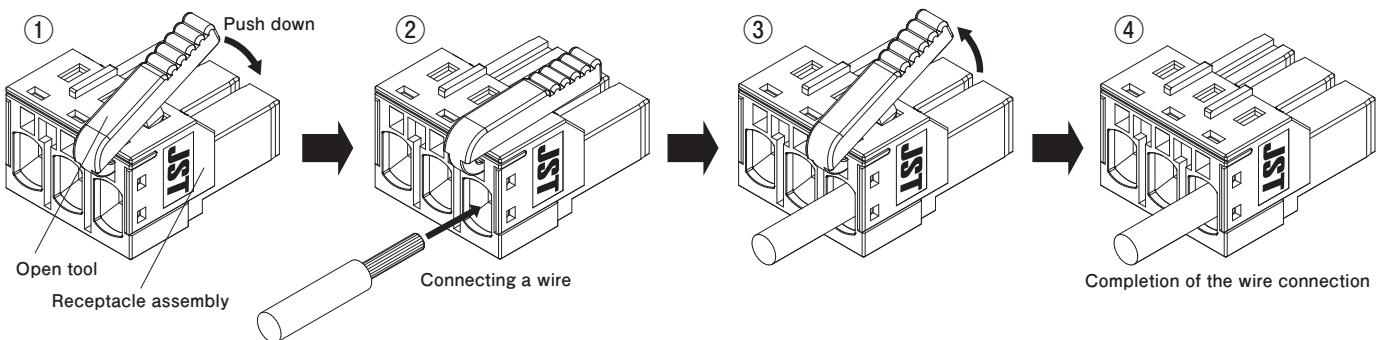
\* In using the products, refer to "Handling Precaution for Terminals and Connectors" described on our website (Technical documents of Product information page).

\* RoHS2 compliance

\* Dimensional unit: mm

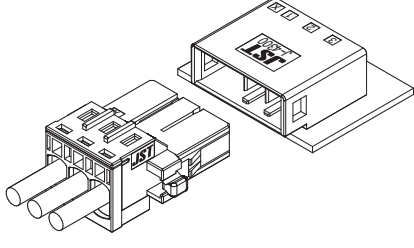
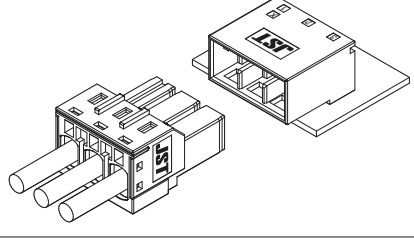
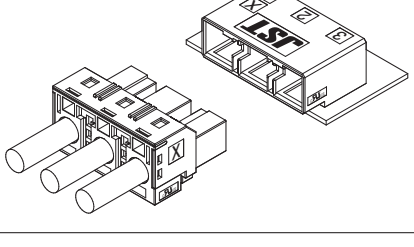
\* Contact JST for details.

## How to connect a wire

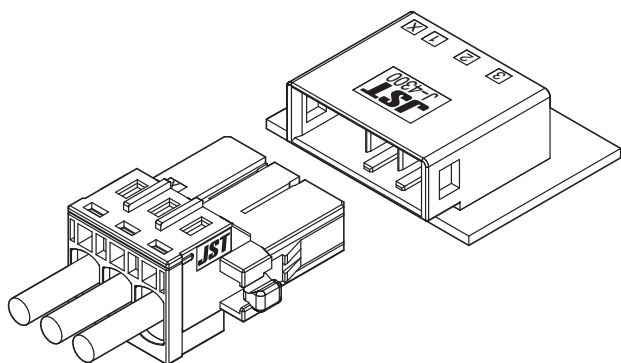


# J-FAT CONNECTOR


## J-FAT connector products line-up

| Rated voltage | Pitch between circuits | Series name  | Applicable header | No. of circuits  | Applicable wire |
|---------------|------------------------|--------------|-------------------|--|-----------------|
| 600 V         | 6.35 mm                | J-FAT-S-4300 | J4300 Header      |    | AWG#16 to #12   |
|               |                        |              |                   | 3  |                 |
|               | 8 mm                   | J-FAT-S-XL   | J-FAT-S-XL Header |   | AWG#16 to #10   |
|               |                        |              |                   | 3, 6, 7  |                 |
|               | 15 mm                  | J-FAT-S-P    | J-FAT-S-P Header  |  | AWG#16 to #8    |
|               |                        |              |                   | 3  |                 |

# J-FAT CONNECTOR/S-4300 SERIES



## Standards

 : Recognized E 239668

\*Contact JST for details about the above Safety standard.

## Specifications

• Current rating: AC/DC

Current unit: A

| Wire size (AWG) |      |      |
|-----------------|------|------|
| # 12            | # 14 | # 16 |
| 20              | 17   | 15   |

• Voltage rating: 600 VAC/DC

• Temperature range: -55°C to +105°C

(including temperature rise in applying electrical current)

• Contact resistance: Initial value/ 5 mΩ max.

After environmental tests/ 10 mΩ max.

• Insulation resistance: Initial value/ 1,000 MΩ min.

After environmental tests/ 100 MΩ min.

• Withstanding voltage: 2,200 VAC/minute

• Applicable wire: AWG #16 to #12

• Applicable PC board thickness: 1.6 to 2.4 mm

Note: The above specifications may differ from Safety Standard.

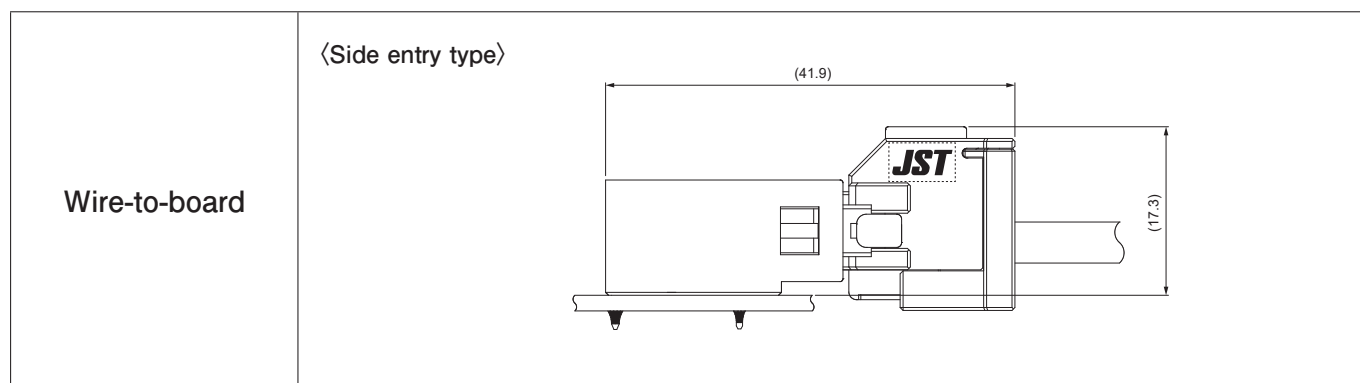
\* In using the products, refer to "Handling Precaution for Terminals and Connectors" described on our website (Technical documents of Product information page).

\* RoHS2 compliance

\* Dimensional unit: mm

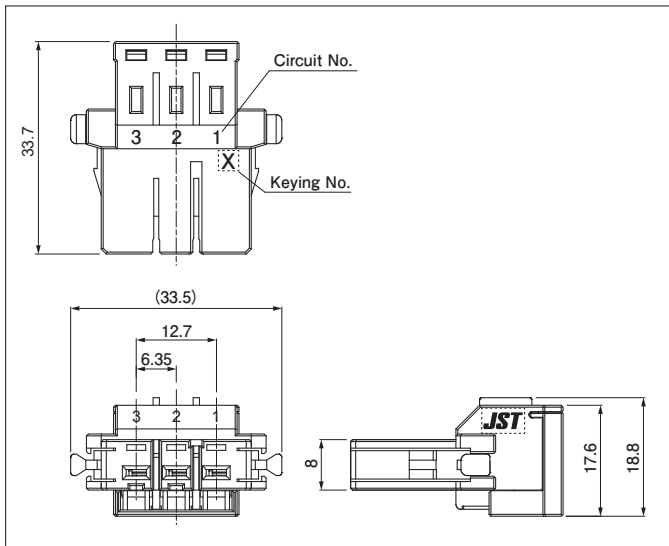
\* Contact JST for details.

## Assembly layout



# J-FAT CONNECTOR/S-4300 SERIES

## Receptacle assembly



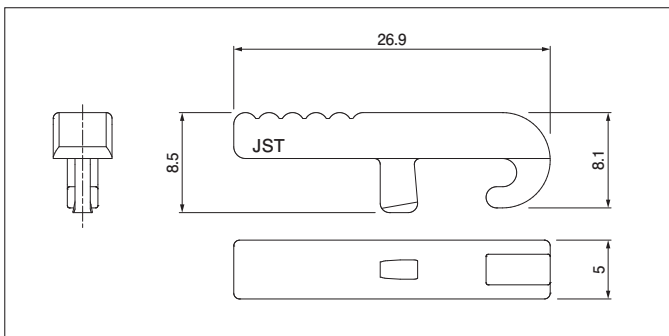
| No. of circuits | Keying | Model No.        | Q'ty/box |
|-----------------|--------|------------------|----------|
| 3               | X      | 03JFAT-SAXGFK-43 | 189      |

### Material and Finish

Tab contact: Copper alloy, nickel-undercoated, selective gold-plated  
Housing: Glass-filled PBT, UL94V-0, black  
Cover: Glass-filled PBT, UL94V-0, black  
Spring: Stainless

RoHS2 compliance

## Open tool



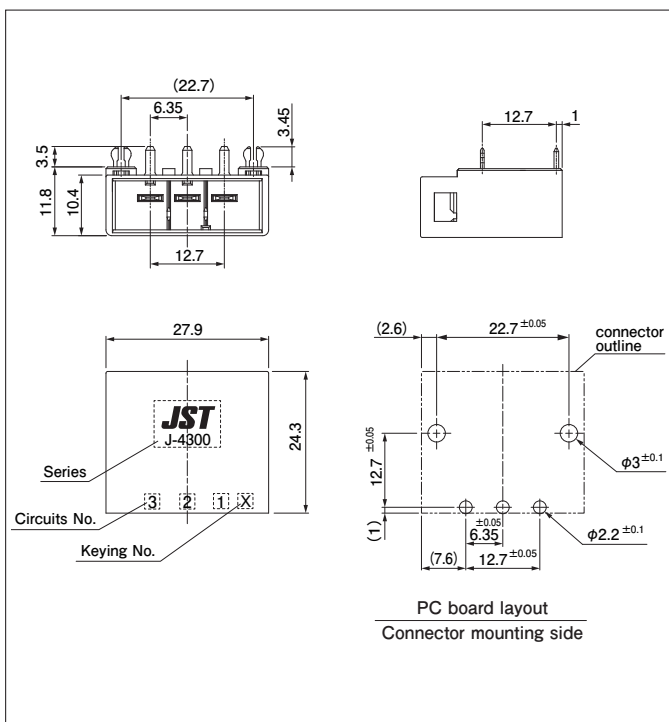
| Model No.   | Q'ty/bag |
|-------------|----------|
| J-FAT-OT-XL | 500      |

### Material and Finish

Glass-filled PA

RoHS2 compliance

## Header (Side entry type)



| No. of circuits | Keying | Model No.       | Q'ty/box |
|-----------------|--------|-----------------|----------|
| 3               | X      | S03B-J43SK-GHXR | 64       |

### Material and Finish

Tab contact: Copper alloy, nickel-undercoated, selective gold-plated  
Housing: Glass-filled PBT, UL94V-0, black  
Reinforcement: Copper alloy, nickel-undercoated, selective gold-plated

RoHS2 compliance