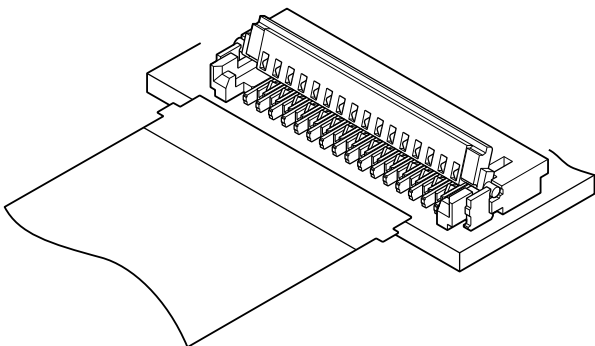


FXY CONNECTOR

0.3 mm pitch/For PC board/For FPC • ZIF Type



In addition to achieving space saving and low profile features, this connector is designed to be compatible with a FPC with protrusions, so that the FPC insertion process is simplified and malfunctions such as incomplete insertion or mis-insertion are prevented.

- ZIF structure for easy insertion operation of FPC
- Self-lock mechanism enables the cover to close by one operation.
- FPC with protrusions improves operability and connection reliability.

Specifications

- Current rating: 0.2 A AC/DC
- Voltage rating: 50 V AC/DC
- Temperature range: -25°C to +85°C
(including temperature rise in applying electrical current)
- Contact resistance: Initial value/80 mΩ max.
After environmental tests/60 mΩ max.
(variation from initial value)
- Insulation resistance: 50 MΩ min.
- Withstanding voltage: There shall be no breakdown or flashover while applying 200 VAC for one minute.
- Applicable FPC: Conductor pitch/ 0.3 mm
<0.6 mm pitch staggered>
Conductor width/ 0.3 mm
Mating part thickness/ 0.2 ± 0.03 mm

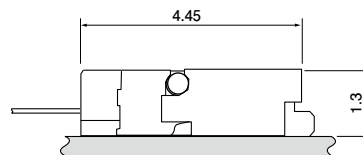
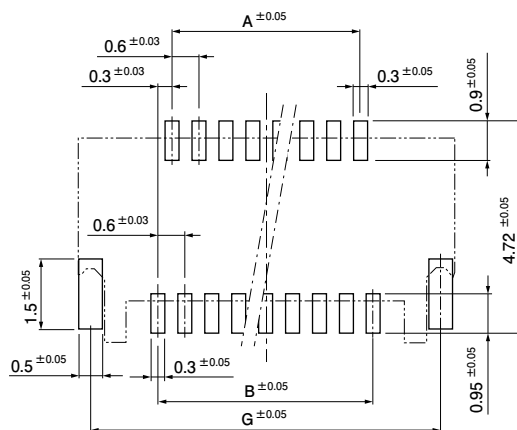
* In using the products, refer to "Handling Precaution for Terminals and Connectors" described on our website (Technical documents of Product information page).

* RoHS2 compliance.

* Dimensional unit: mm

* Contact JST for details.

PC board layout and Assembly layout

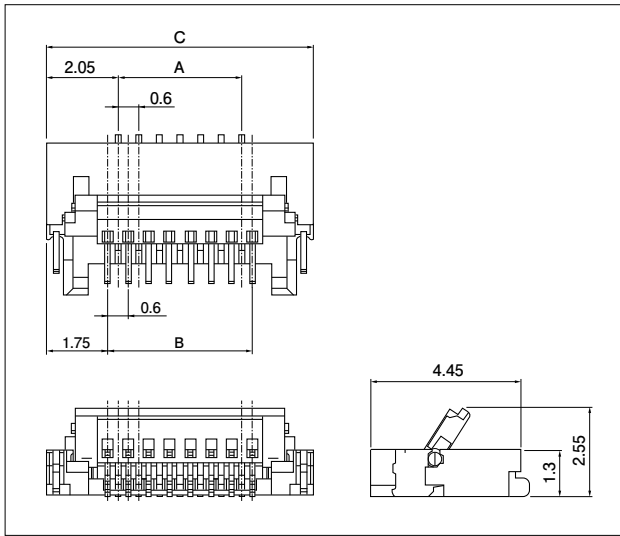


No. of circuits	Dimensions (mm)		
	A	B	G
15	3.6	4.2	7.2
25	6.6	7.2	10.2
31	8.4	9.0	12.0
45	12.6	13.2	16.2
51	14.4	15.0	18.0
81	23.4	24.0	27.0

Note) Tolerance for the PCB pattern pitch shall be ± 0.05 and shall not accumulate.
Please contact JST for details as the dimensions shown in the above figure are reference values.

FXY CONNECTOR

Connector

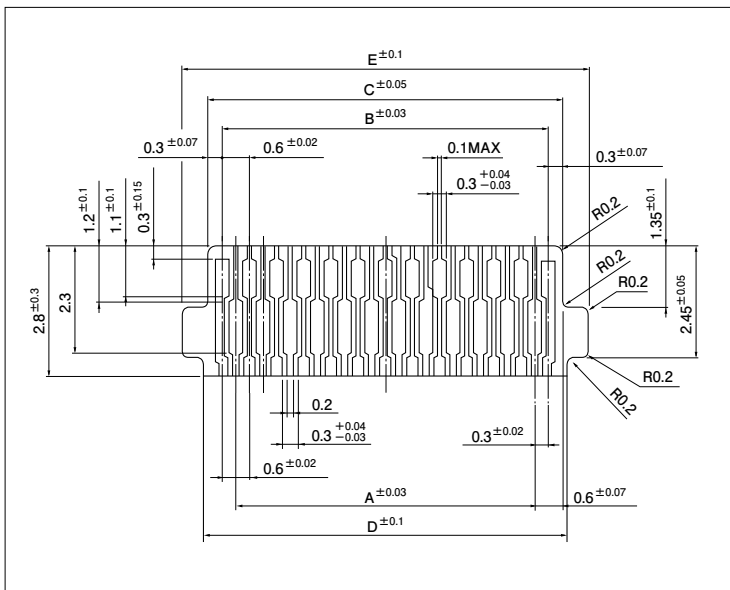


No. of circuits	Model No.	Dimensions (mm)			Q'ty/ reel
		A	B	C	
15	15FXY-RSM1-GAN-1-TB	3.6	4.2	7.7	2,500
25	25FXY-RSM1-GAN-1-TB	6.6	7.2	10.7	2,500
31	31FXY-RSM1-GAN-1-TB	8.4	9.0	12.5	2,500
45	45FXY-RSM1-GAN-1-TB	12.6	13.2	16.7	2,500
51	51FXY-RSM1-GAN-1-TB	14.4	15.0	18.5	2,500
81	81FXY-RSM2-HF-GAN-A-TB	23.4	24.0	27.5	2,500

Contact: Copper alloy, nickel-undercoated, gold-plated (nickel-stripe)
 Cover: PPS, UL94V-0
 Housing: LCP, UL94V-0
 Solder tab: Copper alloy, copper-undercoated, tin-plated

Note: 1. This product displays (LF)(SN) on a label.
 2. 81-circuit of this product displays (LF)(SN)(L) on a label.

Dimensions of FPC lead section



No. of circuits	Dimensions (mm)				
	A	B	C	D	E
15	3.6	4.2	4.8	5.1	6.0
25	6.6	7.2	7.8	8.1	9.0
31	8.4	9.0	9.6	9.9	10.8
45	12.6	13.2	13.8	14.1	15.0
51	14.4	15.0	15.6	15.9	16.8
81	23.4	24.0	24.6	24.9	25.8