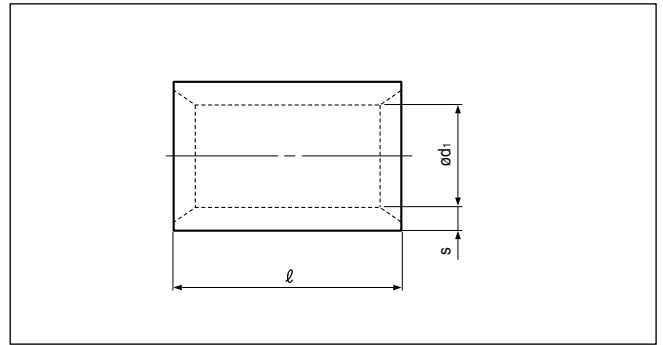


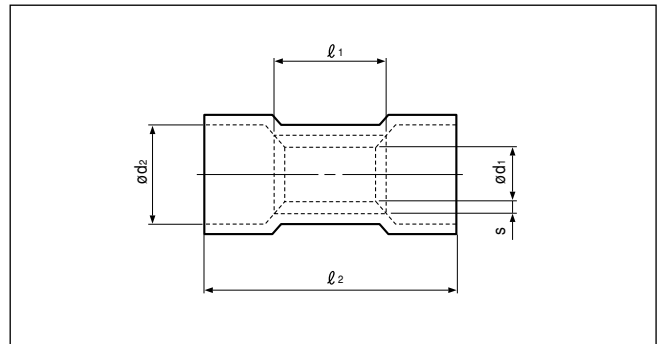
PARALLEL DIN 46341



Non-insulated

Applicable Wire mm ²	Part No.	Nominal Size DIN46341	Dimensions mm (in.)			Tool No.	Qty/box
			ø d ₁	l	s		
0.1 to <0.5	GSP-0.5		1.2 (.047)	5.0 (.197)	0.4 (.016)	WC-0510DIN	2,000
0.5 to 1	GSP-1	1	1.6 (.063)	7.0 (.276)	0.8 (.031)		
0.5 to 1	GSP-1 L-5	1	1.6 (.063)	5.0 (.197)	0.8 (.031)		
>1 to 2.5	GSP-2.5	2.5	2.3 (.091)	7.0 (.276)	0.8 (.031)		
>1 to 2.5	GSP-2.5 L-5	2.5	2.3 (.091)	5.0 (.197)	0.8 (.031)		
>2.5 to 6	GSP-6	6	3.6 (.142)	7.0 (.276)	1.0 (.039)	NC-0510DIN, WC-1016DIN	1,000
>6 to 10	GSP-10	10	4.5 (.177)	9.0 (.354)	1.1 (.043)		
>10 to 16	GSP-16	16	5.8 (.228)	10.0 (.394)	1.2 (.047)	WC-1016DIN	—
>16 to 25	GSP-25	25	7.5 (.295)	11.0 (.433)	1.5 (.059)		
>25 to 35	GSP-35	35	9.0 (.354)	12.0 (.472)	1.6 (.063)		
>35 to 50	GSP-50	50	11.0 (.433)	16.0 (.630)	1.8 (.071)		
>50 to 70	GSP-70	70	13.0 (.512)	18.0 (.709)	2.0 (.079)		
>70 to 95	GSP-95	95	15.0 (.591)	20.0 (.787)	2.5 (.098)		
>95 to 120	GSP-120	120	16.5 (.650)	22.0 (.866)	3.0 (.118)		
>120 to 150	GSP-150	150	19.0 (.748)	24.0 (.945)	3.2 (.126)		

Note:1) Contact J.S.T.(U.K.) Ltd for the above tools.
 2) Delivery lead times may vary depending on the product. Contact JST for details.



Vinyl-insulated

Applicable Wire mm ²	Part No.	Nominal Size DIN46341	Dimensions mm (in.)					Color	Tool No.	Qty/box
			ø d ₁	ø d ₂	l ₁	l ₂	s			
0.5 to 1	FVGSP-1	1	1.6 (.063)	3.4 (.134)	7.0 (.276)	17.0 (.669)	0.8 (.031)	Red	WC-2210DIN	1,000
>1 to 2.5	FVGSP-2.5	2.5	2.3 (.091)	4.3 (.169)	7.0 (.276)	17.0 (.669)	0.8 (.031)	Blue	WC-2210DIN	1,000
>2.5 to 6	FVGSP-6	6	3.6 (.142)	6.4 (.252)	7.0 (.276)	21.0 (.827)	1.0 (.039)	Yellow	WC-2210DIN	500

Note:1) Contact J.S.T.(U.K.) Ltd for the above tools.
 2) Delivery lead times may vary depending on the product. Contact JST for details.

Nylon-insulated

Applicable Wire mm ²	Part No.	Nominal Size DIN46341	Dimensions mm (in.)					Color	Tool No.	Qty/box
			ø d ₁	ø d ₂	l ₁	l ₂	s			
0.1 to <0.5	FNGSP-0.5		1.2 (.047)	2.0 (.079)	5.0 (.197)	13.0 (.512)	0.4 (.016)	Yellow	—	2,000
0.5 to 1	FNGSP-1	1	1.6 (.063)	3.2 (.126)	7.0 (.276)	17.0 (.669)	0.8 (.031)	Red	WC-2210DIN	1,000
>1 to 2.5	FNGSP-2.5	2.5	2.3 (.091)	3.8 (.150)	7.0 (.276)	17.0 (.669)	0.8 (.031)	Blue	WC-2210DIN	1,000
>2.5 to 6	FNGSP-6	6	3.6 (.142)	5.4 (.213)	7.0 (.276)	21.0 (.827)	1.0 (.039)	Yellow	WC-2210DIN	500

Note:1) Contact J.S.T.(U.K.) Ltd for the above tools.
 2) Delivery lead times may vary depending on the product. Contact JST for details.