



# D SUBMINIATURE JH SERIES

Right angle through-hole plug and socket

RIGHT ANGLE THROUGH-HOLE PLUG AND SOCKET



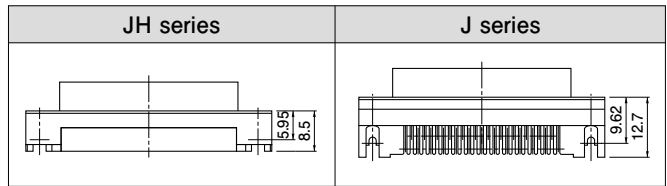
Right angle through-hole plug (with hexagonal lock screw blocks)



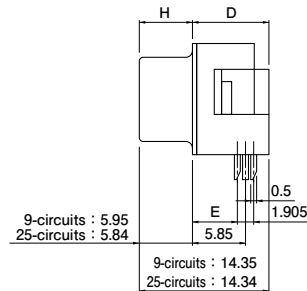
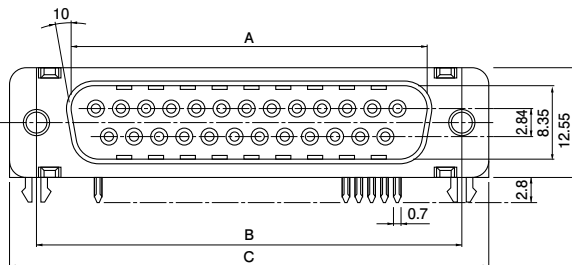
Right angle through-hole socket (without lock screw blocks, but with grounding adapters having a No.4-40UNC inch thread)

## Features

- The depth is trimmed to 8.5 mm, reducing the surface mounting area by 33% compared with our J series subminiature connectors.
- The weight of the JH series is 10% lighter than our J series.
- EJH series D subminiature connectors with noise filters are available.



### Right angle through-hole plug



H: Height of the lock screw block (for Types A, B & J)

Circuits	Model No.		Dimensions (mm)					Q'ty/ box
	Gold-plated (flash) plug	Gold-plated 0.76 micron	A	B	C	D	E	
9	JHEY-9P-1A**	JHEY-9P-1A**14	16.90	24.99	30.8	8.4	4.9	100
25	JHBY-25P-1A**	JHBY-25P-1A**14	38.97	47.04	53.0	8.5	5.0	40

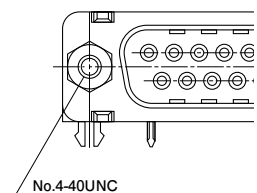
RoHS2 compliance This product displays (LF)(SN) on a label.

Note: \*\* shows the location where a two-digit code (see the table below for codes) should be entered. For example, if a gold-plated (flash) receptacle with hexagonal lock screw blocks having a No. 4-40UNC inch thread and with grounding adapters having a spring lock device is required, specify the model number as JHEY-9P-1A3A.

### Type A



With hexagonal lock screw blocks (H: 6.3 mm) having a No.4-40UNC inch thread



With grounding adapters with a spring lock device



3A

# D SUBMINIATURE CONNECTOR JH SERIES

## Specifications

### Materials

Part name		Material and Finish
Contact	Plug	Brass, nickel-undercoated, Mating part; gold-plated Solder tail; tin-plated (reflow treatment)
	Socket	Phosphor bronze, nickel-undercoated, Mating part; gold-plated Solder tail; tin-plated (reflow treatment)
Insulator		Glass-filled PBT, UL94V-0, black
Shell		Steel, copper-undercoated, nickel-plated
Hexagonal lock screw block		Steel, copper-undercoated, nickel-plated
Grounding adapter with spring lock device		Brass, nickel-undercoated, tin/copper alloy-plated

### Characteristics

Current rating	3 A AC/DC
Voltage rating	250 V AC/DC
Temperature range	-40°C to +85°C (including temperature rise in applying electrical current)
Contact resistance	Initial value/ 15 mΩ max. After environmental tests/ 30 mΩ max.
Insulation resistance	5,000 MΩ min.
Withstanding voltage	1,000 VAC/minute
Applicable PC board thickness	1.6 mm

Note: Contact JST for details.

### Model number identification






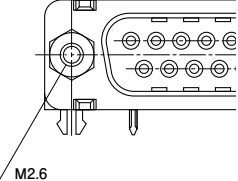
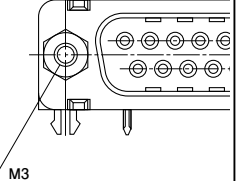
	JH	B	Y	-	25	P	-	1A	3	F	14
• Series name											
• Shell size: E, B											
• Wire connection type: Y ... Right angle through-hole type											
• Number of circuits: 9, 25											
• Connector type: P ... Plug, S ... Socket											
• Connector construction/dimensions: Standard of the JH series right angle through-hole type											
• Types of grounding adapter: 3 ... With grounding adapters having a spring lock device											
• Type of lock screw block: A ... With hexagonal lock screw blocks having a No. 4-40UNC inch thread B ... With hexagonal lock screw blocks having an M2.6 thread G ... Without lock screw blocks, but with grounding adapters having an M2.6 thread H ... Without lock screw blocks, but with grounding adapters having an M3 thread J ... With hexagonal lock screw blocks having an M3 thread											
• Finish of mating part											
Blank ... Gold-plated (flash)											
12 ... 0.2 micron gold-plated											
13 ... 0.4 micron gold-plated											
14 ... 0.76 micron gold-plated											

Note: Contact JST for special plating requirements.

## Standards






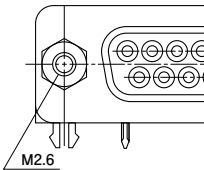
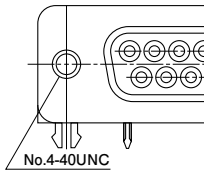
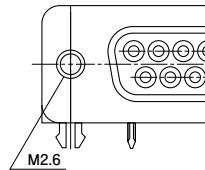
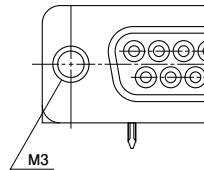
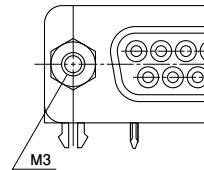
Recognized E60389    Certified LR20812

- \* Refer to "General Instruction and Notice when using Terminals and Connectors" at the end of this catalog.
- \* Contact JST for details.
- \* RoHS2 compliance

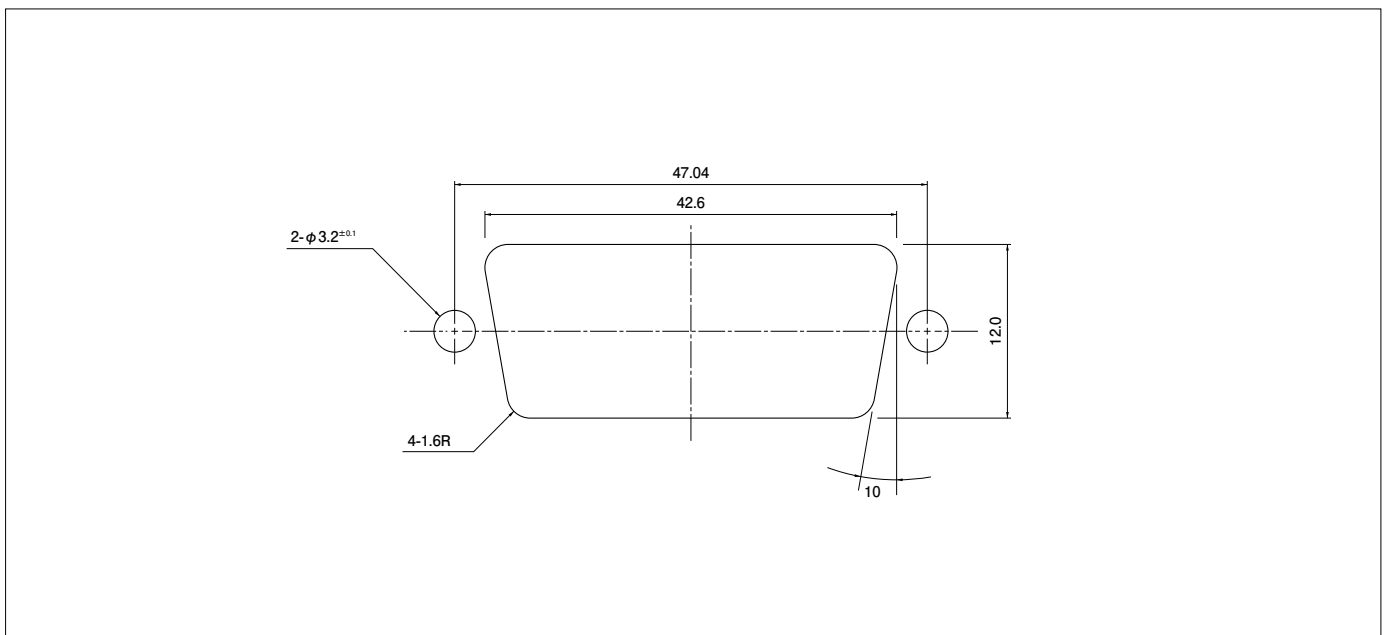
Type B	Type F	Type G	Type H	Type J
				
With hexagonal lock screw blocks (H: 6.3 mm) having an M2.6 thread	Without lock screw blocks F, G, H: Grounding adapters have a thread (*1) for securing separately-purchased lock screw blocks (*2)		With hexagonal lock screw blocks (H: 6.3 mm) having an M3 thread	
	*1: No.4-40UNC inch thread *2: Model number HFS-4S-( )1W(M)	*1: M2.6 thread *2: Model number HFS-2.6S-( )1W(M)	*1: M3 thread *2: Model number HFS-3S-( )1W(M)	
<b>3B</b>	<b>3F</b>	<b>3G</b>	<b>3H</b>	<b>3J</b>



# D SUBMINIATURE CONNECTOR JH SERIES

Type B	Type F	Type G	Type H	Type J
				
<p>With hexagonal lock screw blocks (H: 6.3 mm) having an M2.6 thread</p> <div style="text-align: center;">  <p>M2.6</p> </div>	<p>Without lock screw blocks F, G, H: Grounding adapters have a thread (*1) for securing separately-purchased lock screw blocks (*2)</p> <div style="display: flex; justify-content: space-between;"> <div style="width: 20%;"> <p>*1: No.4-40UNC inch thread *2: Model number HFS-4S-( )1W(M)</p> <div style="text-align: center;">  <p>No.4-40UNC</p> </div> </div> <div style="width: 20%;"> <p>*1: M2.6 thread *2: Model number HFS-2.6S-( )1W(M)</p> <div style="text-align: center;">  <p>M2.6</p> </div> </div> <div style="width: 20%;"> <p>*1: M3 thread *2: Model number HFS-3S-( )1W(M)</p> <div style="text-align: center;">  <p>M3</p> </div> </div> </div>			<p>With hexagonal lock screw blocks (H: 6.3 mm) having an M3 thread</p> <div style="text-align: center;">  <p>M3</p> </div>
<b>3B</b>	<b>3F</b>	<b>3G</b>	<b>3H</b>	<b>3J</b>

## Panel layout



Note: The dimensions above should serve as a guideline. Contact JST for details.




# D SUBMINIATURE CONNECTOR J·JH·JK&KH SERIES

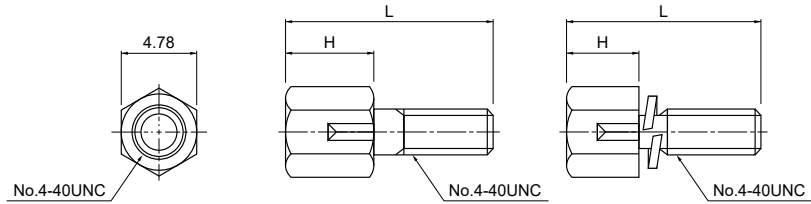
## Accessories/Lock screw block

A variety of accessories are available for the D subminiature connectors.

### LOCK SCREW BLOCK



**Hexagonal lock screw block  
(inch thread: No.4-40UNC)**




**Type A**
**Type B**

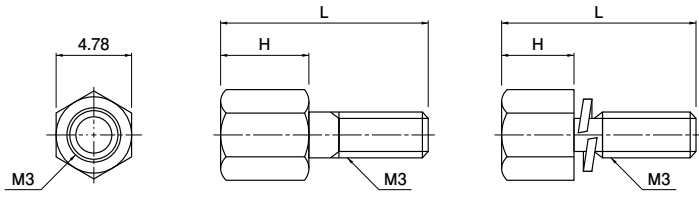
Hexagonal lock screw & spring washer are integrated

Dimension / Model No.	Applicable series	J series right angle through-hole type JK series straight through-hole type	JK series right angle through-hole type	J series straight through-hole type	JH series right angle through-hole type KH series right angle through-hole type	Dimension H (mm)	Type	Attachment	Q'ty/box
	Dimension L (mm)	13.1	15.0	10.0	11.8				
Model No.	JFS-4S-C1N	KFS-4S-C1N	—	—	5.5	A	Spring washer .. 1 pc. Nut ..... 1 pc.	2,000	
	JFS-4S-B1W	KFS-4S-B1W	SFS-4S-B1W	HFS-4S-B1W	4.8		Spring washer .. 1 pc.		
	JFS-4S-C1W	KFS-4S-C1W	—	—	5.5	B	—		
	JFS-4S-B1WM	KFS-4S-B1WM	SFS-4S-B1WM	HFS-4S-B1WM	4.8				
	JFS-4S-C1WM	KFS-4S-C1WM	—	HFS-4S-C1WM	5.5				

RoHS2 compliance



**Hexagonal lock screw block  
(metric thread: M3)**



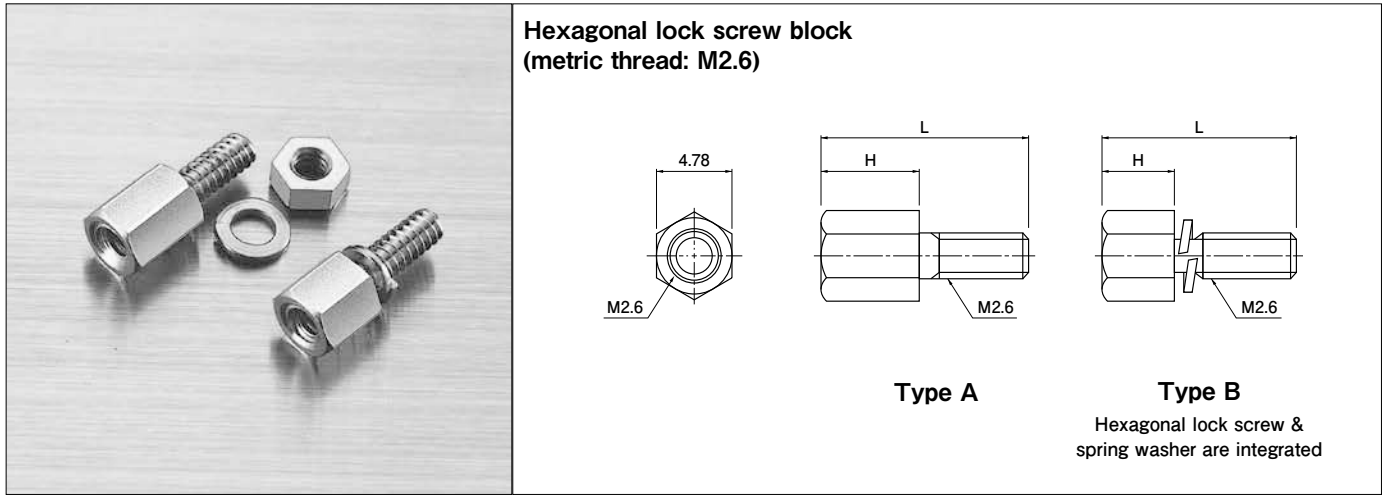
**Type A**
**Type B**

Hexagonal lock screw & spring washer are integrated

Dimension/ Model No.	Applicable series	JK series right angle through-hole type	J series straight through-hole type	JH series right angle through-hole type KH series right angle through-hole type	Dimension H (mm)	Type	Attachment	Q'ty/box
	Dimension L (mm)	15.0	10.0	11.8				
Model No.	—	SFS-3S-B1W	—	4.8	A	Spring washer .. 1 pc.	2,000	
	—	SFS-3S-C1W	HFS-3S-C1W	5.5				
	—	—	—	4.8	B	—		
	KFS-3S-C1WM	—	—	5.5				

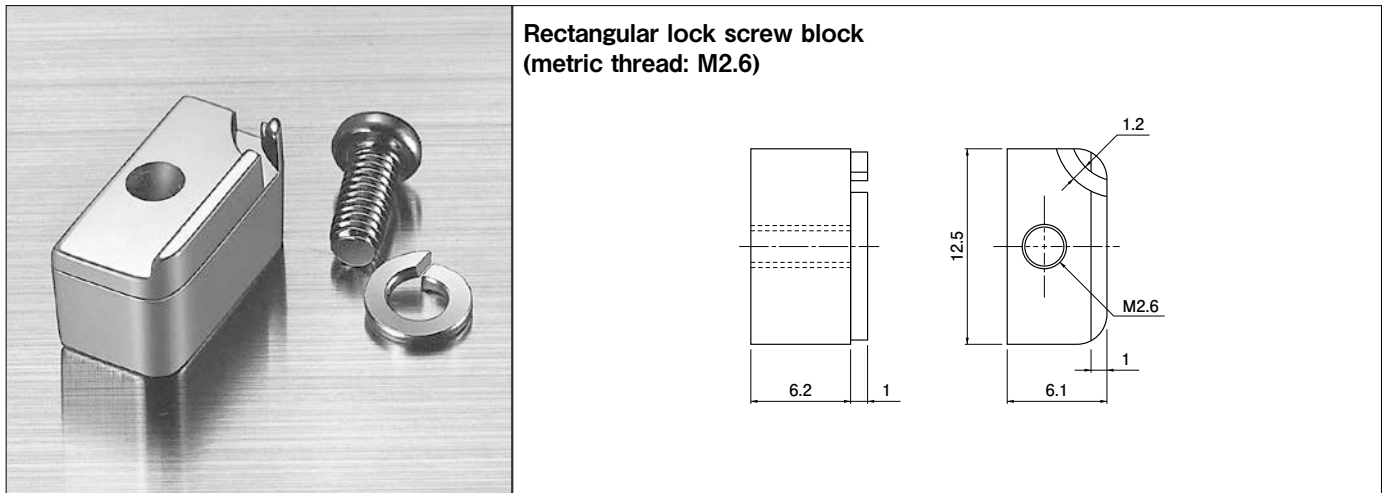
RoHS2 compliance

# D SUBMINIATURE CONNECTOR J·JH·JK&KH SERIES



Applicable series	J series right angle through-hole type JK series straight through-hole type	JK series right angle through-hole type	J series straight through-hole type	JH series right angle through-hole type KH series right angle through-hole type	Dimension H (mm)	Type	Attachment	Q'ty/box
Dimension L (mm)	13.1	15.0	10.0	11.8				
Model No.	JFS-2.6S-C1N	—	—	—	5.5	A	Spring washer .. 1 pc. Nut ..... 1 pc.	2,000
	JFS-2.6S-B1W	KFS-2.6S-B1W	SFS-2.6S-B1W	—	4.8		Spring washer .. 1 pc.	
	JFS-2.6S-B1WM	—	SFS-2.6S-B1WM	HFS-2.6S-B1WM	4.8	B	—	
	JFS-2.6S-C1WM	—	SFS-2.6S-C1WM	—	5.5			

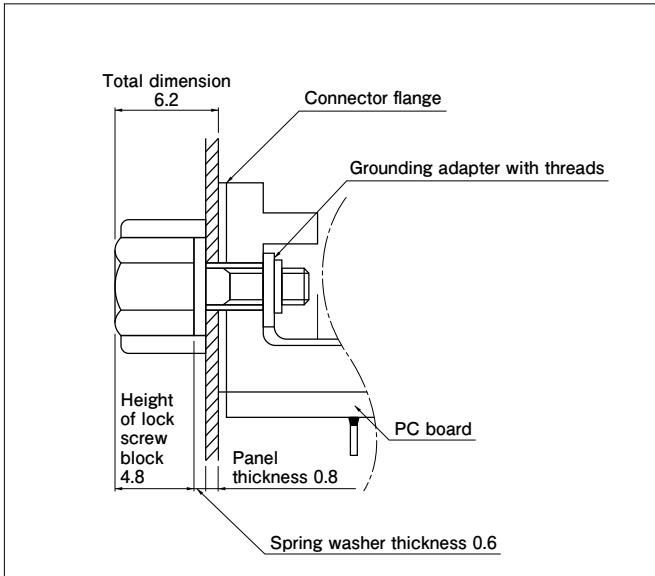
RoHS2 compliance



Model No.	Attachment	Q'ty/box
JFS-2.6R-N	Spring washer ..... 1 pc. Set screw ..... 1 pc.	1,000

RoHS2 compliance

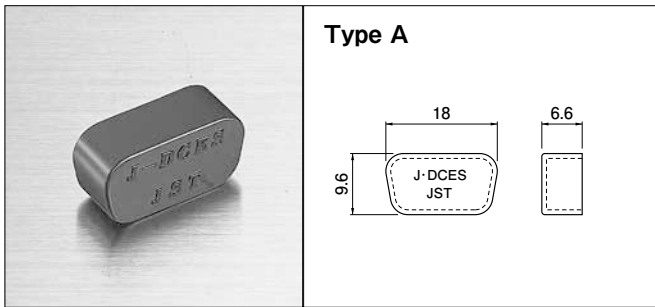
# D SUBMINIATURE CONNECTOR J·JH·JK&KH SERIES



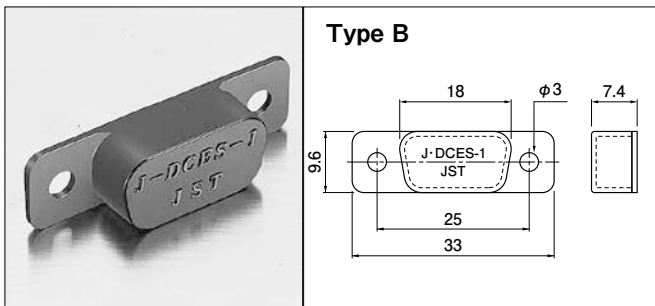
## Application examples of hexagonal lock screw blocks

- The resulting total dimension from the connector flange to the top of the hexagonal lock screw block must be 6.2 mm after assembly.
- The D subminiature connector can be installed on the Panel by simply tightening the hexagonal lock screw block together with grounding adapter, which has an identical thread to that of the F, G, and H types.

## DUST COVER (for receptacles)



Type A



Type B

Type	Circuits		Model No.	Q'ty/box
	J series	JK series		
A	9	15	J-DCES	1,000
B			J-DCES-1	
<b>Material</b>				
PA, UL94V-0, black				

RoHS2 compliance

## EXTRACTION TOOL



With this tool, contacts (connected to wires by crimping) can be easily removed if they are improperly inserted into plug and receptacle housings.

Applicable Connector		Model No.
J series		DEJ-0.3
JK series	Plug	KEJ-0.7
	Receptacle	KEJ-0.4